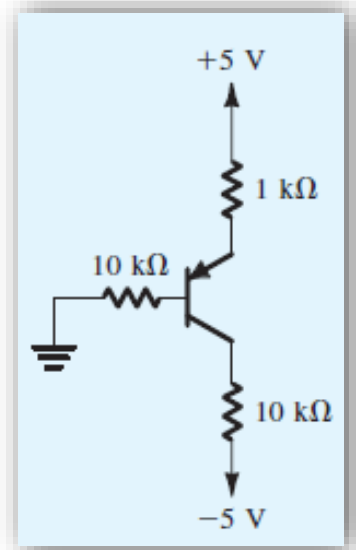
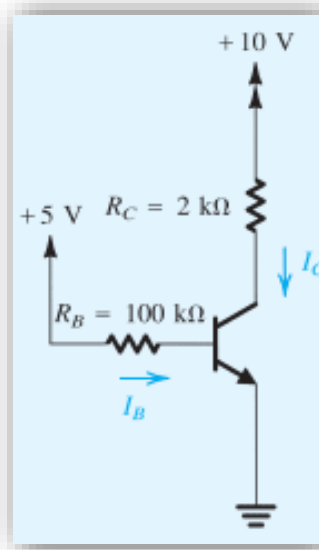
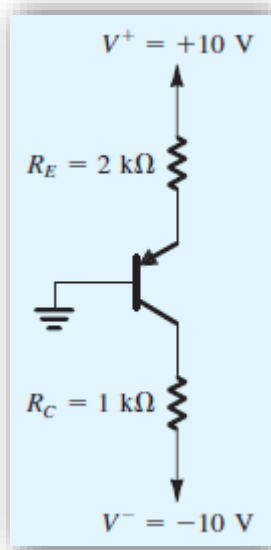




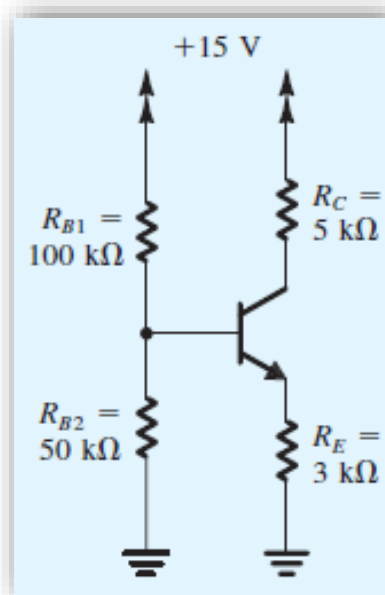
Electronic and Digital Circuits (ELC 225a)  
Bipolar Junction Transistors  
DC Analysis  
Wednesday November 25<sup>th</sup>, 2015



1- Find all the node voltages and all the branch currents for the following circuits. ( $\beta = 100$ )



2- Find the node voltages and the branch currents. ( $\beta = 100$ )

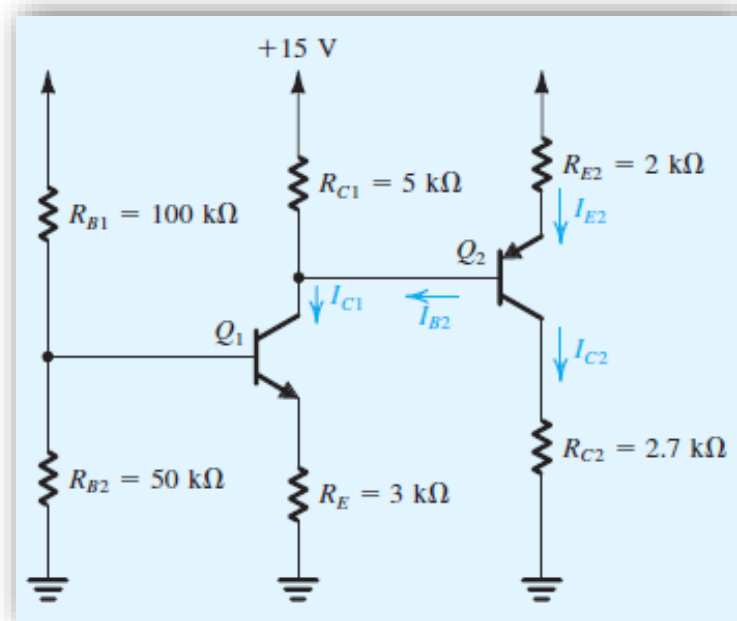




Electronic and Digital Circuits (ELC 225a)  
Bipolar Junction Transistors  
DC Analysis  
Wednesday November 25<sup>th</sup>, 2015



3- Find the node voltages and the branch currents. ( $\beta = 100$ )



4- Find the node voltages and the branch currents. ( $\beta = 100$ )

