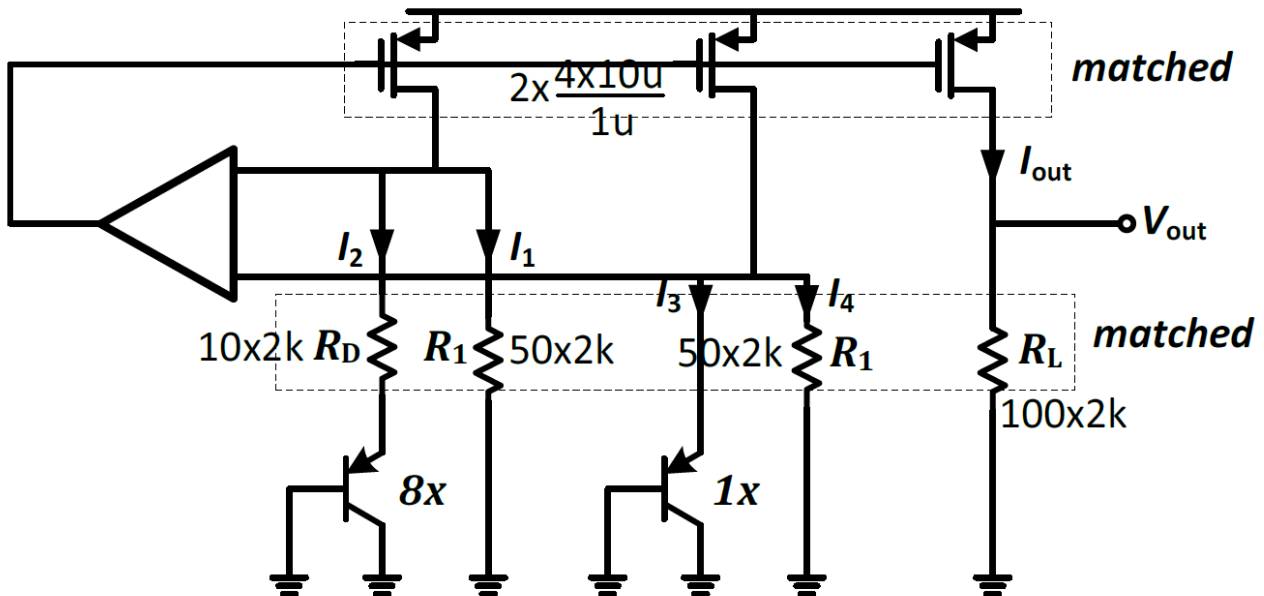




Due date May 10th, 2018



Layout the following bandgap Brokaw cell. Do not layout the op-amp.

The requirements of the project are:

- 1) Match the PMOS transistors
- 2) For the 4 resistors, Pick a unit resistor of $2k\Omega$. Choose a resistor type that is linear
- 3) For the BJT transistors, the 1x BJT is a $5\mu\text{m} \times 5\mu\text{m}$ BJT transistor. The 8x is composed of 8 parallel transistors.