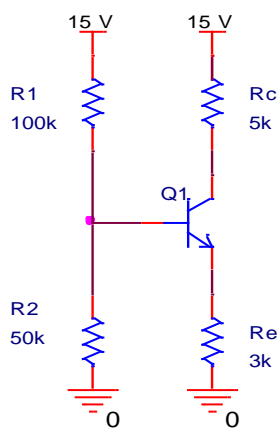
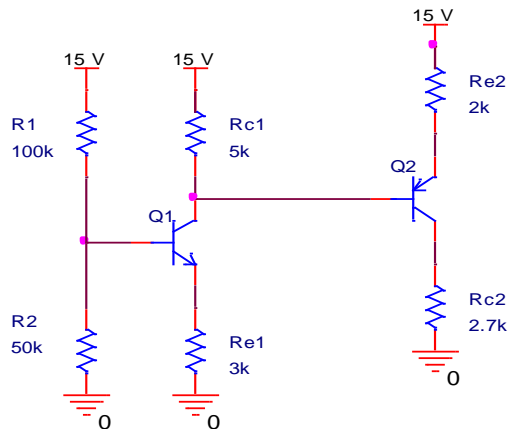


Sheet 1 Revision

1- Find the DC bias point of the shown amplifiers, then calculate g_m & r_π given $\beta=100$



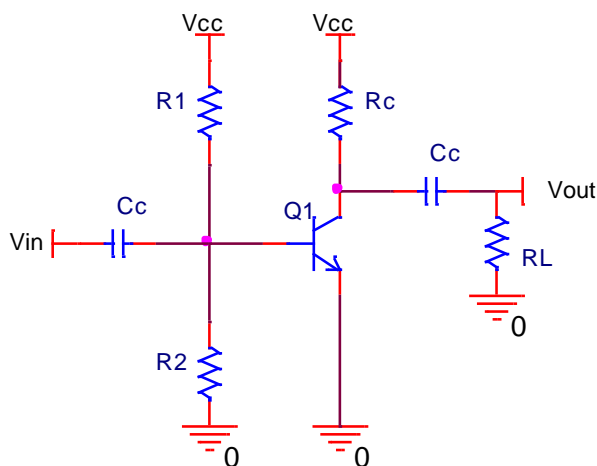
a)



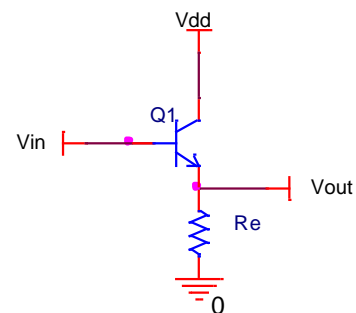
b)

2- Find the voltage gain, input resistance & output resistance of the following BJT amplifiers

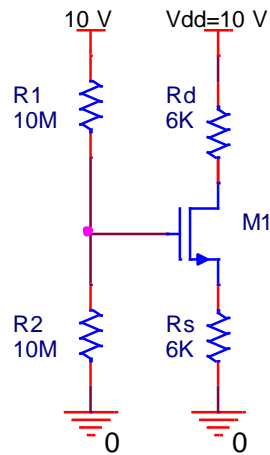
a)



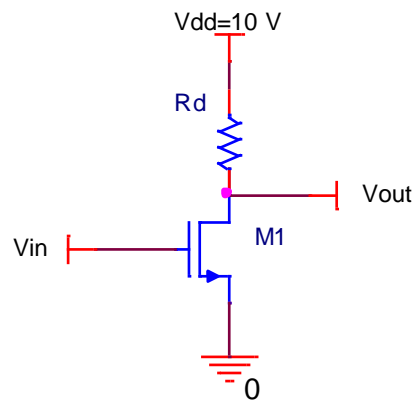
b)



- 3- Find the DC bias point & hence, calculate the AC parameters of the shown MOS circuit (let $V_{th} = 1V$ and $K = 1 \text{ mA/V}^2$)



- 4- Find the voltage gain, input resistance & output resistance of the given MOS amplifier



Good Luck